

Spare Parts List

GARUDAN[®]

GF-138 / L100 Serie

GF-238 / L100 Serie



ANITA B, s.r.o.

Hliníky 2068

680 01 Boskovice

Czech Republic

tel: +420 516454774, 516453496

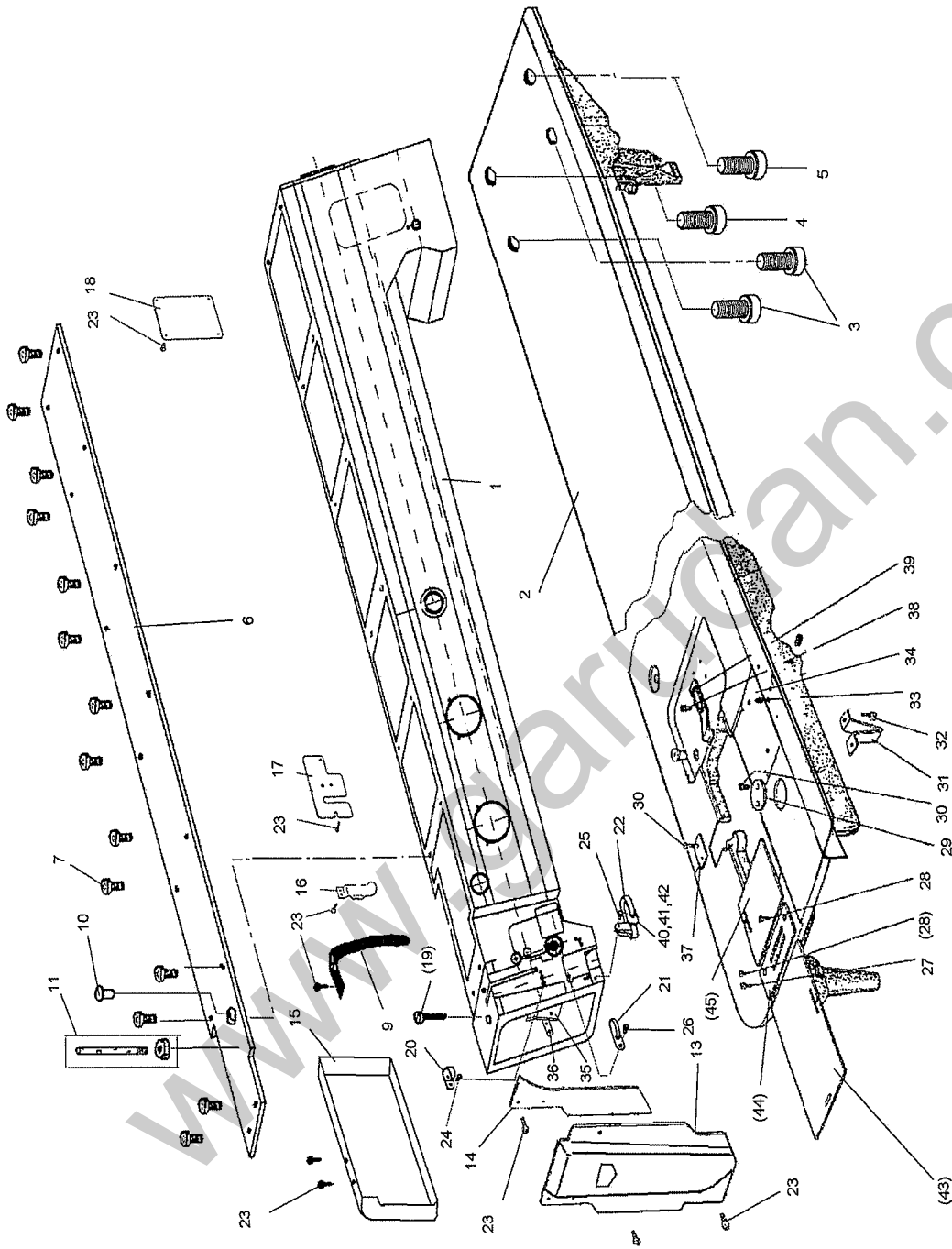
fax: +420 516452751

e-mail: info@anita.cz

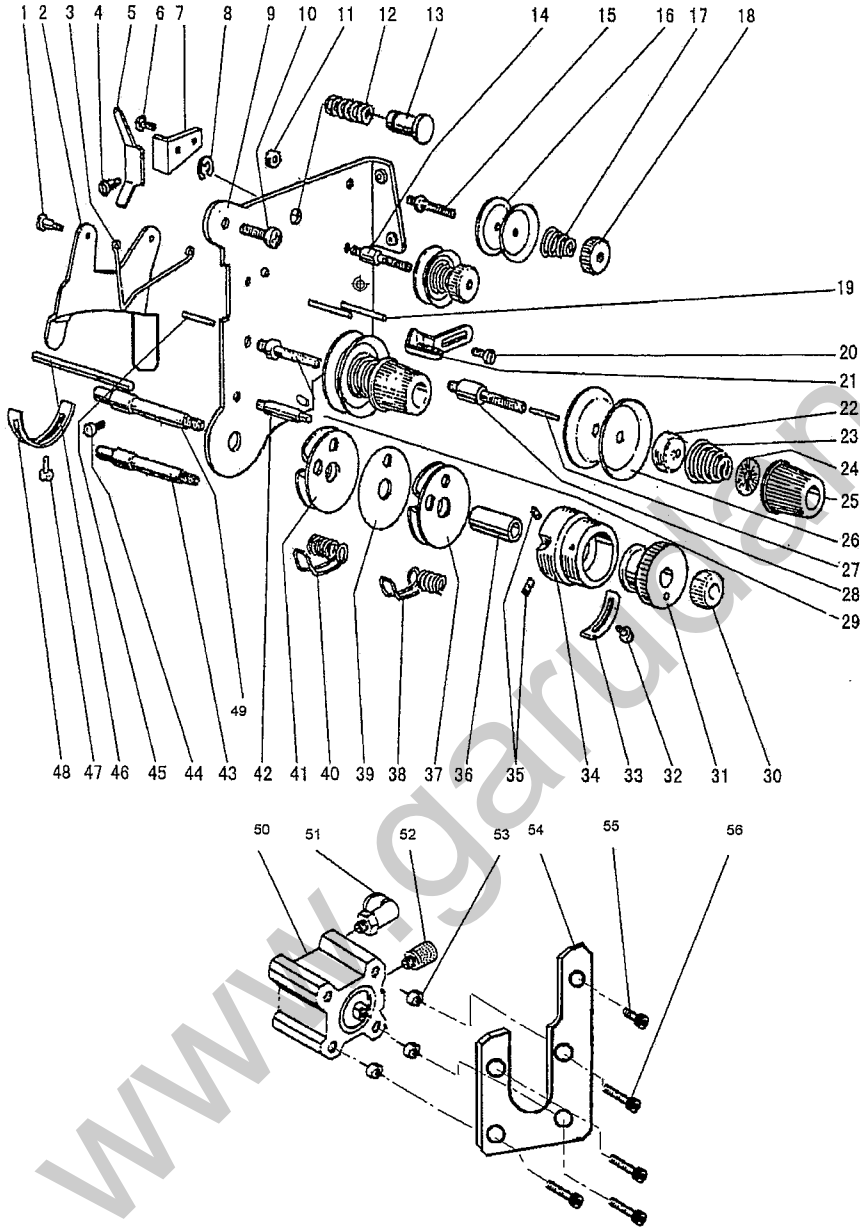
www.garudan.cz

Spare Parts Lists

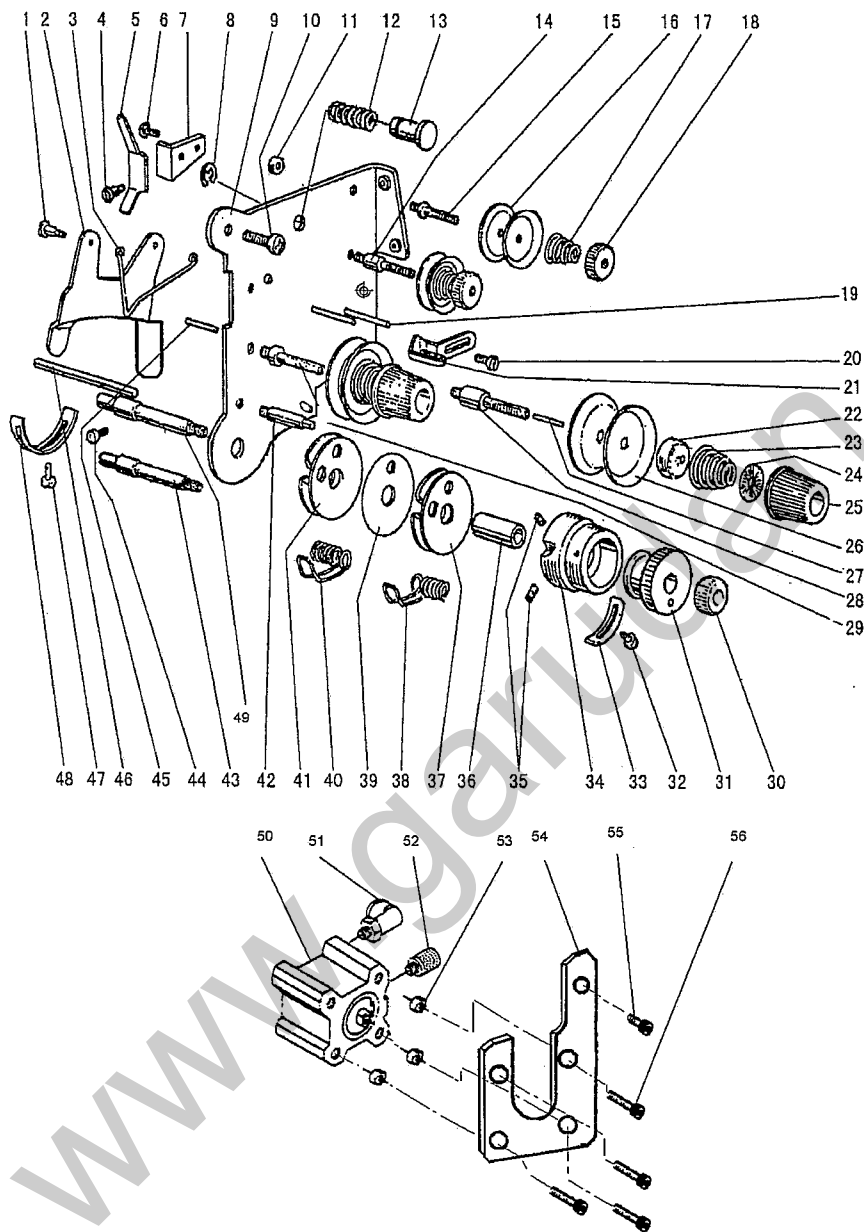
A	Arm, Bed Plate and it's Accessories.....	4,5
B	Thread Tension Mechanism.....	6-9
C	Arm Shaft Mechanism.....	10,11
D	Upper Shaft and Presser Foot Mechanism.....	12-15
E	Needle Bar and Thread Take-up Mechanism.....	16-19
F	Stitch Regulator Mechanism.....	20,21
G	Lower Shaft and Feed Rock Shaft Mechanism.....	22-25
H	Hook Saddle Mechanism.....	26,27
I	Upper Feed Rock Shaft Mechanism.....	28-29
J	Knife Mechanism.....	30-33
K	Backtacking Mechanism and Detector Mechanism.....	34,35
L	Oil Lubrication Mechanism.....	36,37
M	Accessories.....	38,39
N	Bobbin Winder and Hand Pulley Parts.....	40,41
O	Pneumatics.....	42,43
-	Gauge Parts List.....	45



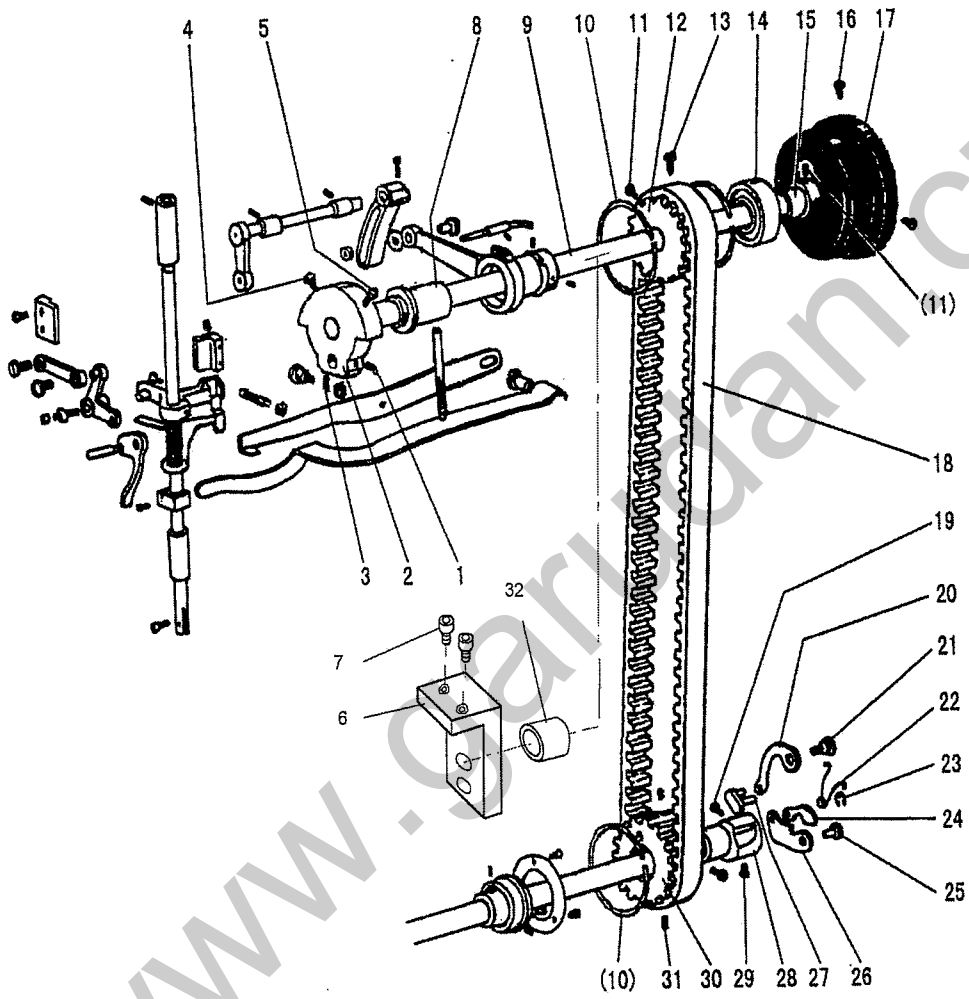
Ref. No.	Part No.	Name of Part	Q'ty	
			GF/138	GF/238
A1	GF/ L100-01B	Long Arm	1	1
A2	GF/ L100-02A	Long Bed Plate		1
A2	GF/ L100-02B	Long Bed Plate	1	
A3	GF/ M12X30	Screw (M12x40 DIN 912)	2	2
A4	GF/ M12X50	Screw(M12x50 DIN 912)	1	1
A5	GF/ M12x80	Screw (M12x80 DIN 912))	1	1
A6	GF/ L100-03	Arm Cover	1	1
A7	GF/ M6x16	Screw (M6x16 DIN 912)	14	14
A9	GF/ H4717B8001	Threrd Take-up Cover	1	1
A10	GF/ H4715B8001	Rubber Plug	1	1
A11	GP/ 119026	Spool Pin	1	1
A13	GF/ 138	Face Plate	1	1
A14	GF/ H4730B8001	Guide Mounting Plate	1	1
A15	GF/ L100-40	Cover of Alternating Feed	1	1
A16	GF/ H4716B8001	Oil Guide Plate	1	1
A17	GF/ H4718B8001	Side Cover	1	1
A18	GF/ H4919B8001	Side Cover right	1	1
A19	GF/ L100-11	Screw (see table E ig No.3)	1	1
A20	GF/ H2400B2070	Thread Guide [upper]	1	1
A21	GF/ H4726B8001	Thread Guide [middle]	1	1
A22	GF/ H4725B8001	Thred Guide	1	1
A23	GF/ M4x8	Screw [DIN 85A, ISO 1362]	14	14
A24	GF/ H2400B2080	Screw	2	2
A25	GF/ H3200B2100	Screw	1	1
A26	GF/ H3000D2160	Screw	1	1
A27	GF/ H3200B2120	Screw		1
A28	GF/ HA300B2190	Screw	2	
A29	GF/ H4915B8001	Cover		1
A30	GF/ H4914B8001	Screw	2	4
A31	GF/ H4913B8001	Supporter	1	1
A32	GF/ H4912B8001	Screw	2	2
A33	GF/ H3200B2170	Screw		1
A34	GF/ H3219B0067	Slide Plate Complete		1
A35	GF/ H3200B2060	Oill Guard	1	1
A36	GF/ H2400B2060	Plate for Oil Guard	1	1
A37	GF/ H4911B8001	Cover		1
A38	GF/ H4751B8001	Tension Releasing Plate	1	
A39	GF/ H4742E8001	Screw	2	
A40	GF/ H4722B8001	Screw	1	1
A41	GF/ H4723B8001	Spring	1	1
A42	GF/ H4724B8001	Plate	1	1
A43	GF/	Slide Plate L(see Gauge Parts List)		
A44	GF/	Needle Plate(see Gauge Parts List)		
A45	GF/	Slide Plate P(see Gauge Parts List)		



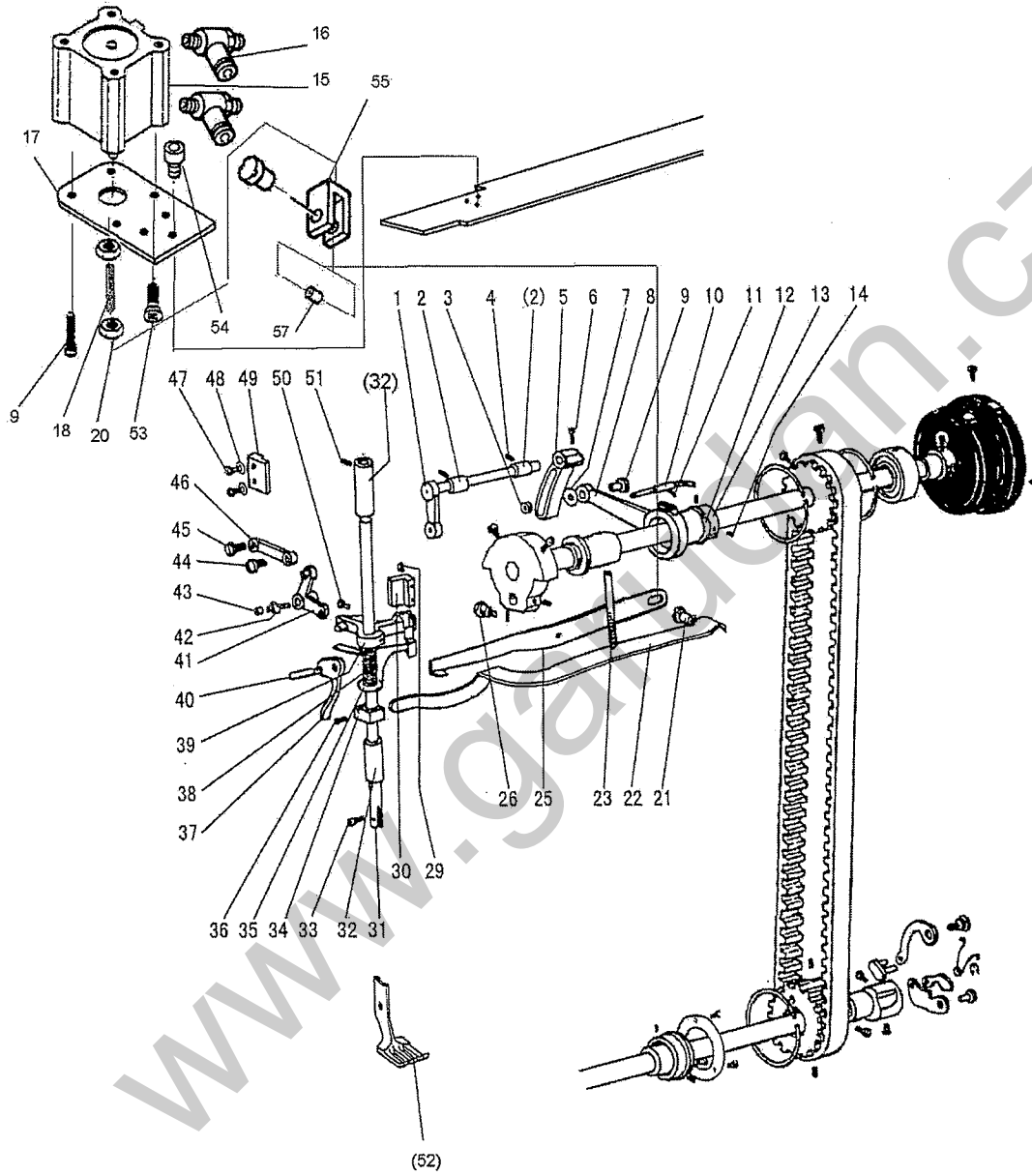
Ref. No.	Part No.	Name of Part	Q'ty	
			GF/138	GF/238
B1	GF/ H3221B6811	Screw	2	2
B2	GF/ L100- 16P	Tension Releasing Plate	1	1
B3	GF/ H3221B6812	Tension Releasing Spring	1	1
B4	GF/ H4705C8001	Screw	1	1
B5	GF/ H4706C8001	Lever	1	1
B6	GF/ HA7311C306	Screw	1	1
B7	GF/ H4707C8001	Mounting Plate	1	1
B8	GF/ H007013050	Stop Ring	1	1
B9	GF/ L100- 16	Mounting Plate (modification H3221B6820)	1	1
B10	GF/ M4x15	Screw (M4x15 DIN 85A)	1	1
B11	GF/ H3221B6810	Nut	1	1
B12	GF/ H4708C8001	Spring	1	1
B13	GF/ H4709C8001	Push Button	1	1
B14	GF/ H3221B0685	Thread Tension Stud	1	1
B15	GF/ H3221B0683	Thread Tension Stud	1	1
B16	GF/ HA112B0693	Thread tension Disk	2	4
B17	GF/ H3221B0384	Thread Tension Spring	1	2
B18	GF/ HA710B0671	Thumb Nut	1	2
B19	GF/ H3221B0682	Pin	2	3
B20	GF/ HA106B0676	Screw	1	1
B21	GF/ H3306B0661	Thread Guide	1	1
B22	GF/ HA310B0702	Thred Tension Releasing Plate	1	2
B23	GF/ H4710C8001	Thread Tension Spring	1	2
B24	GF/ HA115B7010	Thumb Nut Revolution Stopper	1	2
B25	GF/ HA310B0701	Thumb Nut Compete	1	2
B26	GF/ HA310B0705	Thread Tension Disk	2	4
B27	GF/ H3221B6816	Pin		1
B28	GF/ H3221B0689	Thread Tension Stud		1
B29	GF/ H3221B0686	Thread Tension Stud	1	1
B30	GF/ H32481B721	Thumb Nut	1	1
B31	GF/ H32481B621	Také-up Spring Guide		1
B32	GF/ H32481BC21	Screw		1
B33	GF/ H32481BB21	Stopper		1
B34	GF/ H32481B921	Thread Tension Post		1
B35	GF/ H32481B521	Screw		2
B36	GF/ H32481B821	Bushing		1
B37	GF/ H32481BF21	Plate Complete		1
B38	GF/ H4712C8001	Thred Také-up Spring		1
B39	GF/ H32481BE21	Plate		1
B40	GF/ H4713C8001	Thread Také-up Spring	1	1
B41	GF/ H32481BD21	Plate Complete	1	1
B42	GF/ H4804C8001	Screw	1	
B42	GF/ H32481B421	Thread Tension Stud		1
B43	GF/ H4805C8001	Thread Tension Stud	1	



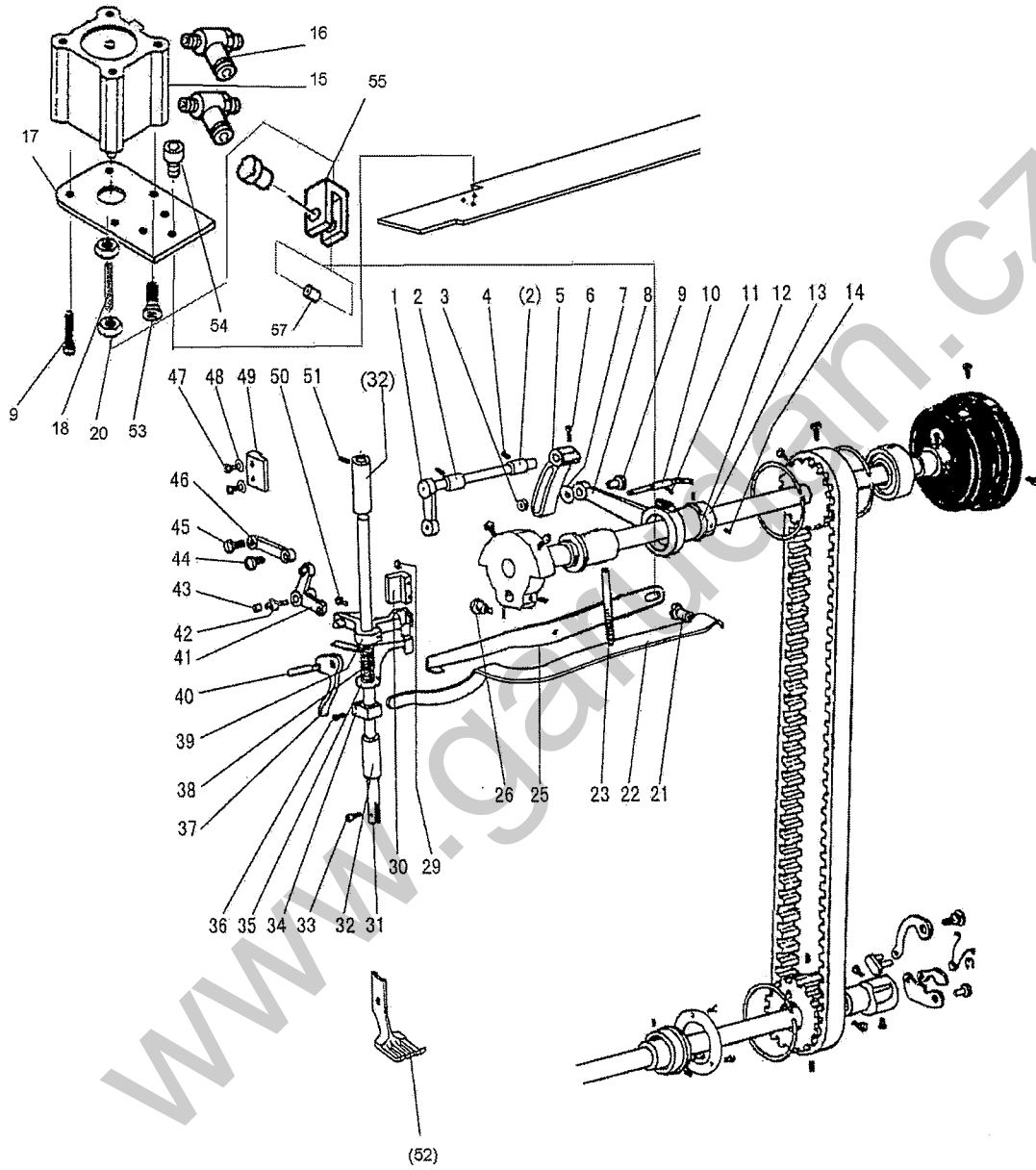
Ref. No.	Part No.	Name of Part	Q'ty	
			GF/138	GF/238
B44	GF/ H3230K0751	Screw	1	1
B45	GF/ H3221B6817	Pin	1	1
B46	GF/ H3221B6818	Tension Releasing Pin	1	
B46	GF/ H4916B8001	Tension Releasing Pin		1
B47	GF/ H3200B2100	Screw	1	1
B48	GF/ H3221B6819	Stopper	1	1
B49	GF/ H32481B121	Thread Tension Stud		1
B50	GF/ CQ2B12-D	Air Cylinder SMC	1	1
B51	GF/ KQ2L04-M5	Fitting SMC	1	1
B52	GF/ AN120-M5	Silencer SMC	1	1
B53	GF/ L100-16K	Distance Bushing	3	3
B54	GF/ L100-16D	Bracket	1	1
B55	GF/ M4x5	Screw (M4x5 DIN 912,BN 272)	1	1
B56	GF/ M4x20	Screw (M4x20 DIN 912,BN 272)	4	4



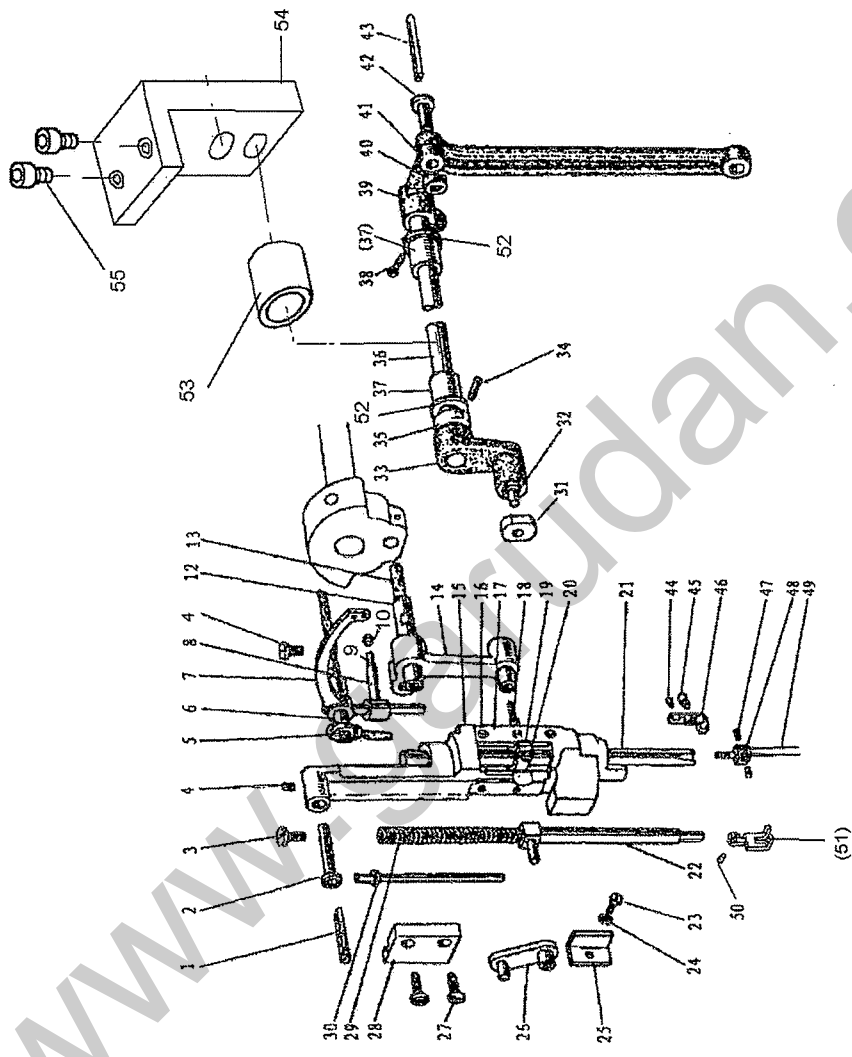
Ref. No.	Part No.	Name of Part	Q'ty	
			GF/138	GF/238
C1	GF/ HA307C0662	Set Screw	1	1
C2	GF/ H4706D8001	Crank	1	1
C3	GF/ HA105D0662	Long Bed Plate	1	1
C4	GF/ HA100C2060	Set Screw	1	1
C5	GF/ HA100C2070	Screw	1	1
C6	GF/ L100-24	Bracket	1	1
C7	GF/ M5x12	Screw (M5x12 DIN 84A)	2	2
C8	GF/ NAX 1532Z	Needle Bearing (NAX 1532Z IKO)	1	1
C9	GF/ L100-05	Arm Shaft	1	1
C10	GF/ H3205C0661	Spring flange	3	3
C11	GP/ HA113F0684	Screw	1(2)	1(2)
C12	GF/ H3205C1021	Belt pulley (upper) (modification)	1	1
C13	GF/ HA100F2130	Screw	1	1
C14	GF/ H3205J0662	Bearing	1	1
C15	GF/ H3205J0661	Collar (modification)	1	1
C16	GF/ HA110D0672	Screw	2	2
C17	GF/ H4711D8001	Pulley (modification)	1	1
C18	GF/ H3200C2030	Cog belt	1	1
C19	GF/ HA104F0654	Screw	1	1
C20	GF/ H4713D8001	Spring Plate	1	1
C21	GF/ H4714D8001	Pin	1	1
C22	GF/ H4716D8001	Twist Spring	1	1
C23	GF/ H007013025	top Ringh	1	1
C24	GF/ H4717D8001	Plate	1	1
C25	GF/ H4718D8001	Pin	1	1
C26	GF/ H4719D8001	Plate	1	1
C27	GF/ H4715D8001	Link	1	1
C28	GF/ H4720D8001	Bushing	1	1
C29	GF/ H4721D8001	Screw	1	1
C30	GF/ H4722D8001	Belt Pulley (lower)	1	1
C31	GF/ H4723D8001	Screw	2	2
C32	GF/ HK 1512	Needle Bearing (HK 1512) SKF	1	1



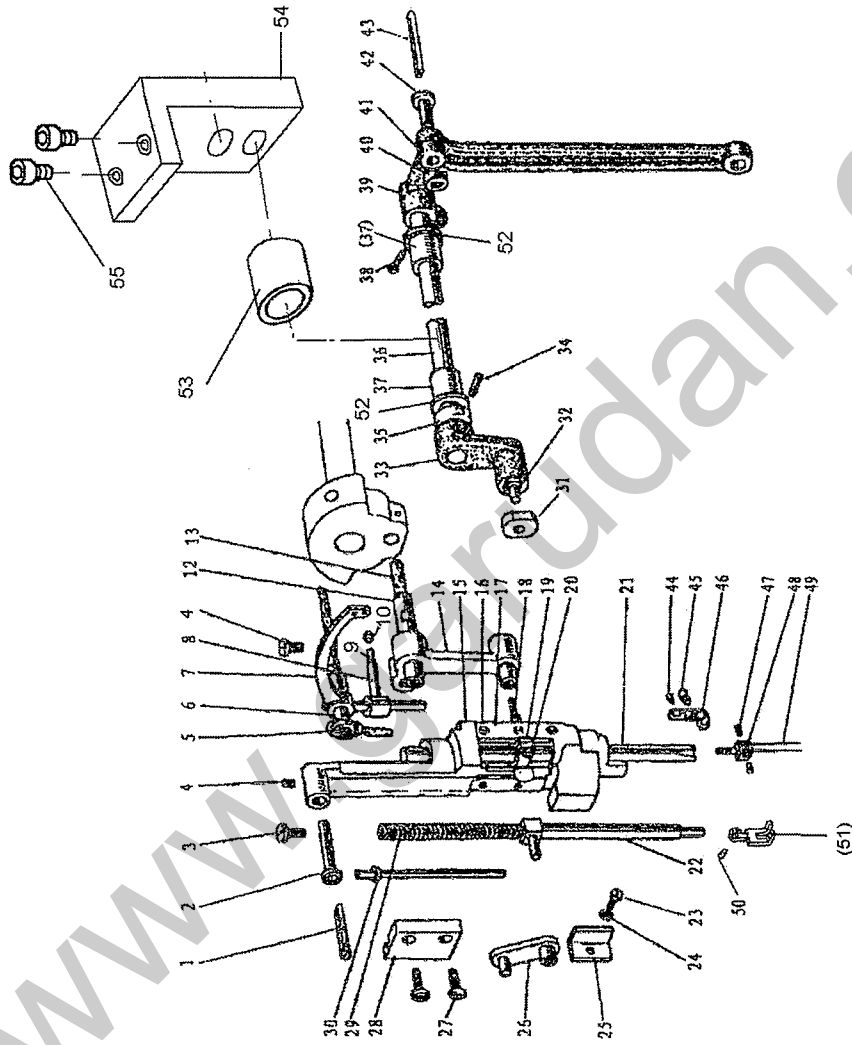
Ref. No.	Part No.	Name of Part	Q'ty	
			GF/138	GF/238
D1	GF/ H4705E8001	Feed Lifting Rock Shaft	1	1
D2	GF/ H4707E8001	Bushing	2	2
D3	GF/ HS91165206	Nut	1	1
D4	GF/ H4706E8001	Screw	2	2
D5	GF/ H4709E8001	Lever	1	1
D6	GF/ H3115F0671	Screw	1	1
D7	GF/ H2013J0065	Washer	1	1
D8	GF/ H2014J0066	Connectung Rod	1	1
D9	GF/ H2000J2100	Bolt	1	1
D10	GF/ H4713E8001	Oil Pipe, Wick complete	1	1
D11	GF/ H20111C106	Spring	1	1
D12	GF/ H007009250	C-type Stop Ring	1	1
D13	GF/ H4714E8001	Eccentric (modification)	1	1
D14	GF/ HA307C0662	Screw	2	2
D15	GF/ ECQ2B40-20D	Air Cylinder	1	1
D16	GF/ AS2201F-01-04S	Meter out Speed Controler	2	2
D17	GF/ L100-21D	Bracket	1	1
D18	GF/ M8x70	Rod with Thread (M8x70)	1	1
D19	GF/ M6x20	Screw (M6x20 DIN 912)	2	2
D20	GF/ M8x70	Nut (M8 DIN 934)	2	2
D21	GF/ L100-14	Pin	1	1
D22	GF/ H4730E8001	Lever Spring	1	1
D23	GF/ L100-12	Screw (M8x0,75)	1	1
D25	GF/ H472E8001	Knee lifting Lever	1	1
D26	GF/ L100-15	Screw	1	1
D29	GF/ HA111G0683	Screw	2	2
D30	GF/ H4723E8001	Guide	1	1
D31	GF/ H4744E8001	Bushing	2	2
D32	GF/ H4754E8001	Presser Bar	1	1
D33	GF/ H3200E2020	Screw	1	1
D34	GF/ H4746E8001	Spring Bracket	1	1
D35	GF/ H4768E8001	Thread Releasing Plate	1	1
D36	GF/ H2404I0034	Screw	1	1
D37	GF/ H4748E8001	Lifter Lever	1	1
D38	GF/ H4767E8001	Spring	1	1
D39	GF/ H4752E8001	Bracket	1	1
D40	GF/ L100-13	screw	1	1
D41	GF/ H4715E8001	Bell Crank	1	1
D42	GF/ H2004J0655	Support Shaft	1	1
D43	GF/ H4717E8001	Roller	1	1



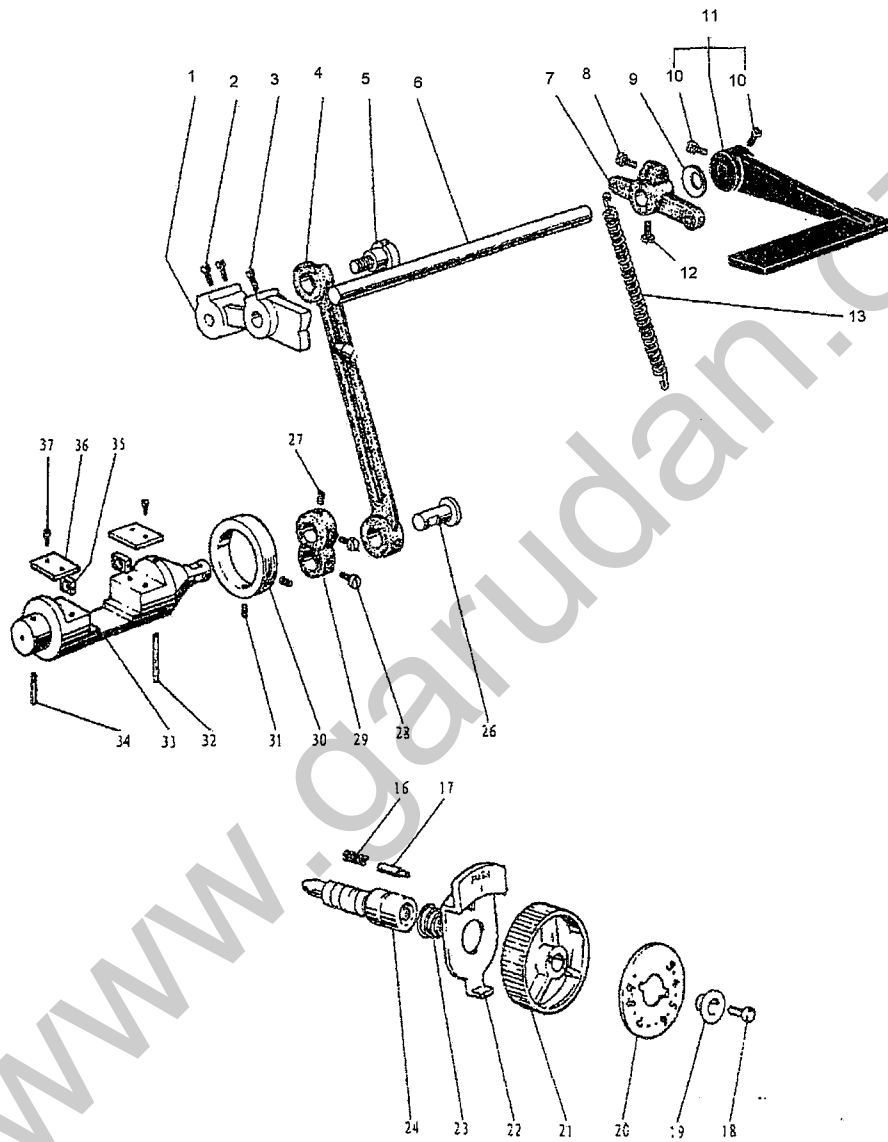
Ref. No.	Part No.	Name of Part	Q'ty	
			GF/138	GF/238
D44	GF/ H4718E8001	Screw	1	1
D45	GF/ H2004J0662	Screw	1	1
D46	GF/ H4719E8001	Link	1	1
D47	GF/ HA100E2150	Screw	2	2
D48	GF/ H4722E8001	Washer	2	2
D49	GF/ H4721E8001	Bell Crank Guide	1	1
D50	GF/ H4753E8001	Screw	1	1
D51	GF/ M6x16	Screw (M6x16 DIN 551)	2	2
D52	GF/ H4757E8001	Lifting Presser Foot(see table page no.45)		1
D52	GF/ H3100G2110	Lifting Presser Foot(see table page no.45)	1	
D53	GF/ M6x16	Screw (M6x16 DIN 963A)	2	2
D54	GF/ M5x12	Screw (M5x12 DIN 912)	3	3
D55	GF/ GKM8-16	Connecting Rod SMC	1	1
D	GF/			
D57	GF/ L100-21L	Roller	1	1



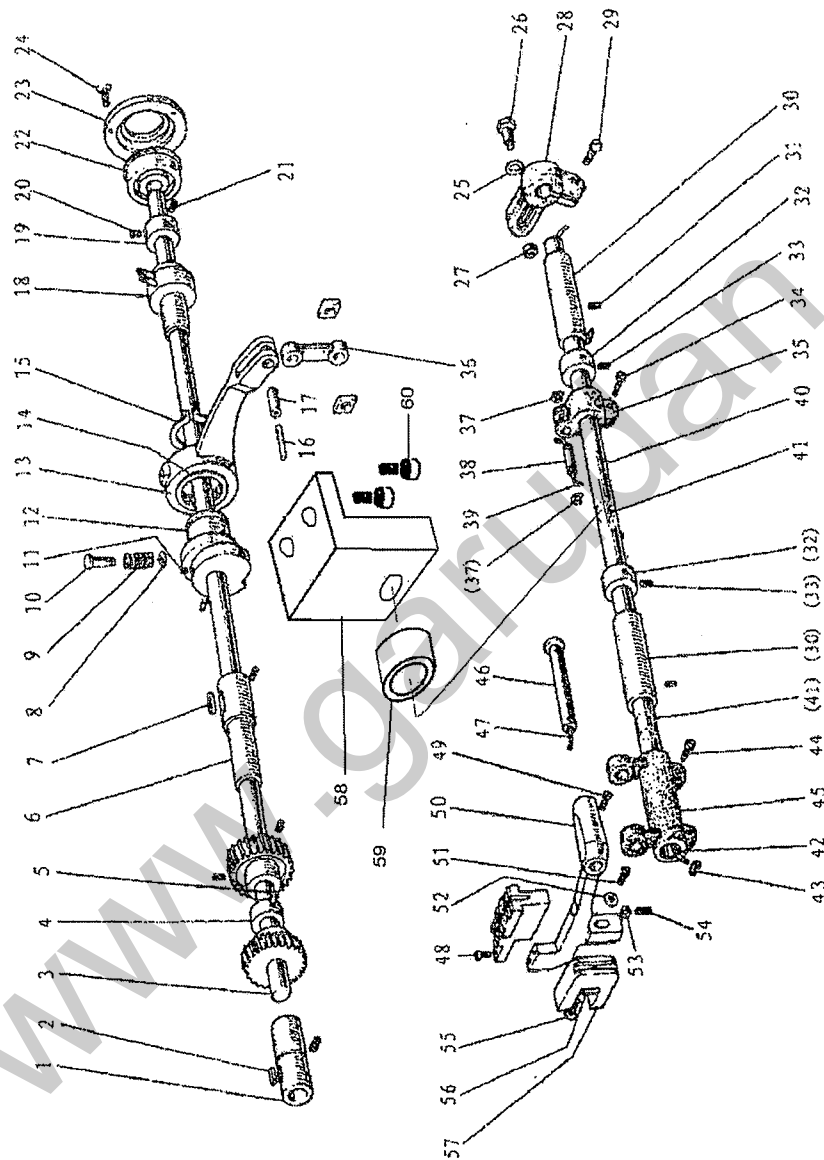
Ref. No.	Part No.	Name of Part	Q'ty	
			GF/138	GF/238
E 1	GF/ H24211DN05	Oil Wick	1	1
E 2	GF/ H4706F8001	Needle Bar Guide Bracket Stud	1	1
E 3	GF/ L100-11	Screw	1	1
E 4	GP/ 700510	Screw (M6x0.75x8)	2	2
E 5	GF/ H24211DN05	Oil Wick	1	1
E 6	GF/ H24211DM05	Thread Take -up Lever support Stud	1	1
E 7	GF/ H4712F8001	Thread Take -up Lever	1	1
E 8	GF/ H2405D1112	Thread Take-up Lever Slide Block	1	1
E 9	GF/ H24211D405	Oil Wick	1	1
E 10	GF/ H24211D305	Plug	1	1
E 12	GF/ H2405D0662	Needle Bar Crank Pin	1	1
E 13	GF/ H4716F8001	Oil Wick	1	1
E 14	GF/ H4717F8001	Connecting Link	2	2
E 15	GF/ H4719F8001	Needle Bar Guide Bracket	1	1
E 16	GF/ H32111D304	Screw	6	6
E 17	GF/ H4721F8001	Spacer	2	2
E 18	GF/ H3204D6513	Felt	1	1
E 19	GF/ H4722F8001	Needle Bar Holder	1	1
E 20	GF/ H32111D604	Screw	1	1
E 21	GF/ H4724F8001	Needle Bar		1
E 21	GF/ H4806F8001	Nedle Bar	1	
E 22	GF/ H4725F8001	Vibrating Presser Bar	1	1
E 23	GF/ H3400C2020	Screw	1	1
E 24	GF/ H3200I2030	Washer	1	1
E 25	GF/ H3400C2010	Needle Bar Guide	1	1
E 26	GF/ H4726F8001	Vibrating Presser Bar Link	1	1
E 27	GF/ H4753E8001	Screw	2	2
E 28	GF/ H4728F8001	Vibrating Prasser Bar Guide	1	1
E 29	GF/ H4729F8001	Spring Bracket	1	1
E 30	GF/ H4730F8001	Vibrating Presser Spring Guide	1	1
E 31	GF/ H3410C301P	Squre Block	1	1
E 32	GF/ H3406C0671	Crank Pin	1	1
E 33	GF/ H3406C0672	Needle Bar Vibrating Crank (left)	1	1
E 34	GF/ 4x24h6	Pin (4x24h6 DIN 6325, BN 858)	1	1
E 35	GF/ H4734F8001	Collar (modification)	1	1
E 36	GF/ L100-06	Nedle Bar Vibrating Shaft	1	1
E 37	GF/ NK 15/20	Beedle Bearing IKO	2	2
E 38	GF/ H2012N0652	Screw	1	1
E 39	GF/ H3407C0661	Needle Bar Vibrating Crank (right,modification)	1	1
E 40	GF/ H32311D506	Nut	1	1
E 41	GF/ H3407C0662	Connecting Link	1	1
E 42	GF/ H32311D306	Screw	1	1



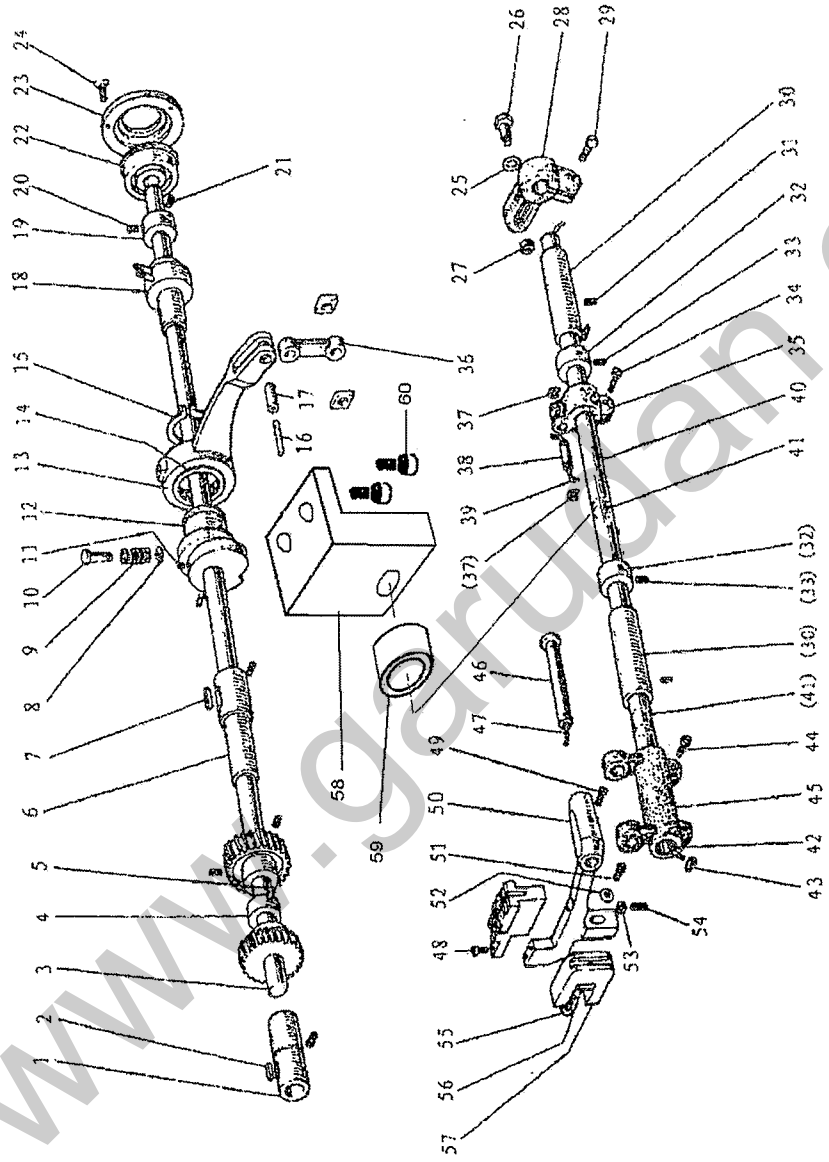
Ref. No.	Part No.		Name of Part	Q'ty	
				GF/138	GF/238
E 43	GF/	H32311D406	Oil Wick	1	1
E 44	GF/	H3129F0691	Screw	1	
E 45	GF/	HA100C2170	Screw	1	
E 46	GF/	H3129F0693	Thread Guide	1	
E 47	GF/	H32132D104	Screw		2
E 48	GF/	H4739F8001	Needle Clamp(1/4)(see table page no.45)		1
E 49	GF/	H4740F8001	Needle	1	2
E 50	GF/	HA700F2100	Screw	1	1
E 51	GF/	H4807F8001	Pesser Foot (see table page no.45)	1	
E 52	GF/	16x28/0.5,0.2	Distance Washer	x	x
E 53	GF/	HK 1512	Needle Bearing HK 1512 IKO	1	1
E 54	GF/ L100-24		Bracket	1	1
E 55	GF/	M4x20	Screw (M4x20 DIN 912)	2	2



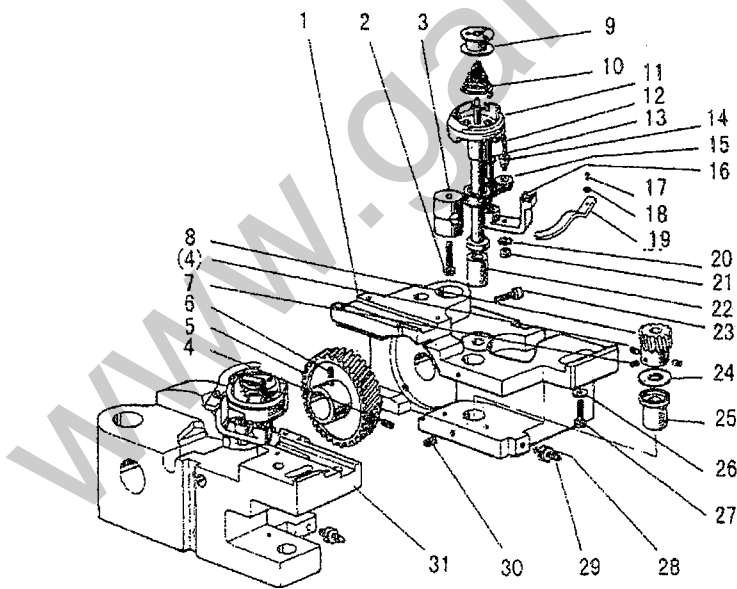
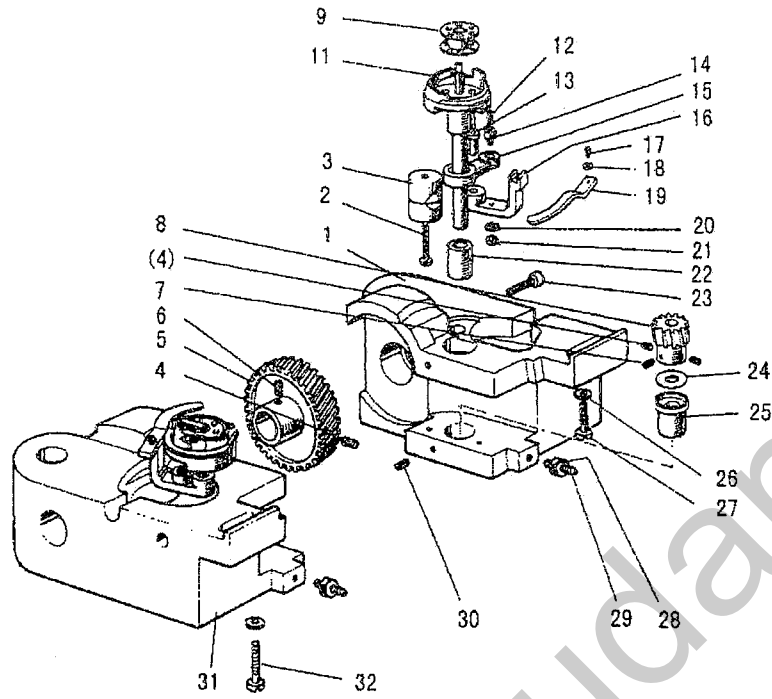
Ref. No.	Part No.	Name of Part	Q'ty	
			GF/138	GF/238
F 1	GF/ H4706G8001	Feed Regulator Cam	1	1
F 2	GF/ HA113F0684	Screw	2	2
F 3	GF/ H3200F2020	Screw	1	1
F 4	GP/ H4707G8001	Link	1	1
F 5	GF/ HA100G2070	Eccentric Shaft	1	1
F 6	GF/ H4909G8001	Reverse Stitch Shaft upper)	1	1
F 7	GF/ H4905G8001	Arm	1	1
F 8	GF/ HA800F2020	Screw	1	1
F 9	GF/ HA100F2110	Spring Washer	1	1
F 10	GF/ HA113F0684	Screw	2	2
F 11	GF/ H4906G8001	Reverse Sewing Lever	1	1
F 12	GF/ H3207F0672	Screw	1	1
F 13	GF/ H4710G8001	Spring	1	1
F 16	GF/ H3200F2120	Spring	1	1
F 17	GF/ HA700F2030	Pin	1	1
F 18	GF/ HA720F0608	Screw	1	1
F 19	GF/ HA720F0685	Bushing	1	1
F 20	GF/ H4910G8001	Stitch Length Indicating Plate	1	1
F 21	GF/ HA7421F120	Dial	1	1
F 22	GF/ HA720F0683	Vibrating Presser Bar	1	1
F 23	GF/ HA720F0687	Coil Spring	1	1
F 24	GF/ HA109F0671	Screw Bar	1	1
F 26	GF/ H3206F0662	Pin	1	1
F 27	GF/ H415050200	Screw	1	1
F 28	GF/ H428050060	Screw	2	2
F 29	GF/ H4714G8001	Reverse Sewing Crank	1	1
F 30	GF/ H4715G7101	Collar	1	1
F 31	GF/ HA3411D308	Screw	2	2
F 32	GF/ H4719G8001	Felt	1	1
F 33	GF/ H4720G8001	Reverse Block	1	1
F 34	GF/ H4721G8001	Felt	1	1
F 35	GF/ H4722G8001	Square block	1	1
F 36	GF/ H4723G8001	Guide Plate	2	2
F 37	GF/ HA300C2030	Screw	4	4



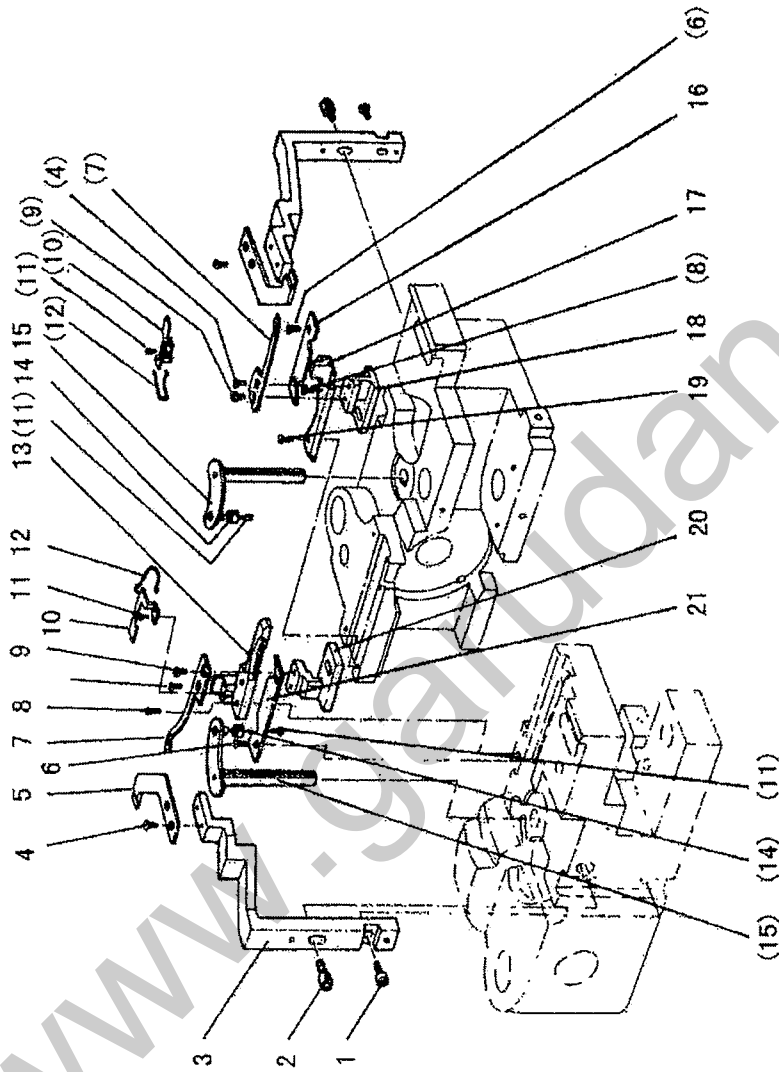
Ref. No.	Part No.	Name of Part	Q'ty	
			GF/138	GF/238
G1	GF/ H4706H8001	Lower Shaft Bushing (left)	1	1
G2	GF/ H4707H8001	Oil Wick	1	1
G3	GF/ L100-08	Lower Shaft	1	1
G4	GF/ H4710H8001	Feed Eccentric Cam	1	1
G5	GF/ H3205H0654	Screw	1	1
G6	GF/ H4712H8001	Lower Shaft Bushing (right)	1	1
G7	GF/ H4713H8001	Oil Wick	1	1
G8	GF/ H007013050	Stop Ring	2	2
G9	GF/ H4714H8001	Spring	1	1
G10	GF/ H4715H8001	Push Button	1	1
G11	GF/ H2405D0664	Screw	2	2
G12	GF/ H4717H8001	Feed Eccentric	1	1
G13	GF/ H4718H8001	Feed Connecting Rod	1	1
G14	GF/ H4719H8001	Needle Bearing	1	1
G15	GF/ H007009260	C-type Stop Ring	1	1
G16	GF/ H4720H8001	Oil Wick	1	1
G17	GF/ H4721H8001	Shaft	1	1
G18	GF/ H4722H7101	Lower Shaft Bushig Complete (miiddle)	1	1
G19	GF/ H4725H8001	Bushig	1	1
G20	GF/ HA105D0662	Screw	1	1
G21	GF/ H3205H0654	Screw	1	1
G22	GF/ H4723H8001	Ball Bearing	1	1
G23	GF/ H4727H8001	Bearing Holder	1	1
G24	GF/ HA7300C306	Screw	3	3
G25	GF/ H4728H8001	Washer	1	1
G26	GF/ H4729H8001	Screw	1	1
G27	GF/ H003055060	Nut	1	1
G28	GF/ H4731H8001	Feed Connecting Crank(right,modification)	1	1
G29	GF/ H2012N0652	Screw	1	1
G30	GF/ HK 1522	Needle Bearing HK 1522 IKO	2	2
G31	GF/ HA4708D8001	Screw	2	2
G32	GF/ HA108G0661	Collar (modification)	2	2
G33	GF/ HA105D0662	Screw	4	4
G34	GF/ H2012N0652	Screw	1	1
G35	GF/ H4736H8001	Feed Connecting Crank (middle,modification)	1	1
G36	GF/ H4737H8001	Link	1	1
G37	GF/ H007013050	E-type Stop Ring	2	2
G38	GF/ H4738H8001	Pin	1	1
G39	GF/ H4739H8001	Oil Wick	1	1
G40	GF/ L100-07	Feed Rock Shaft	1	1
G41	GF/ H4740H8001	Felt	2	2
G42	GF/ H3204G0031	Oil Wick	1	1
G43	GF/ H3200G2030	Clip	1	1



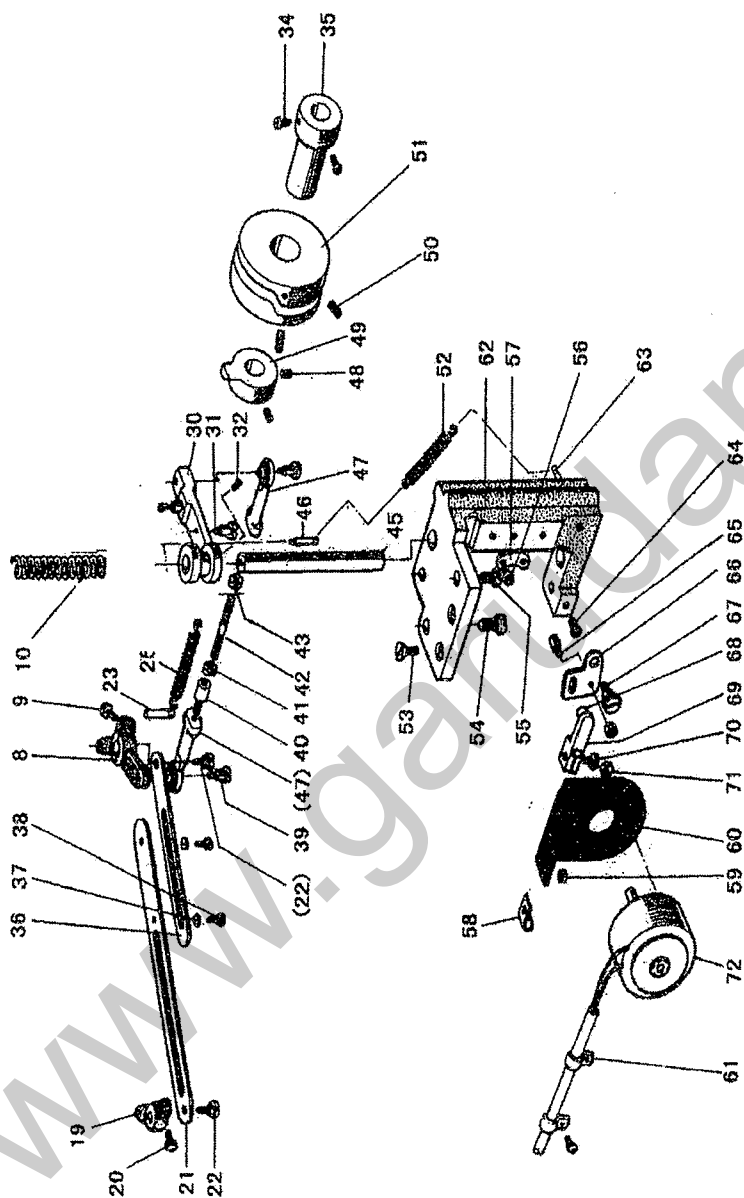
Ref. No.	Part No.	Name of Part	Q'ty	
			GF/138	GF/238
G 44	GF/ HA104G0012	Screw	2	2
G 45	GF/ H4905H8001	Feed Connection Crank (left,modification)		1
G 45	GF/ H3205G1032	Feed Connection Crank (left,modification)	1	
G 46	GF/ H32243G205	Feed Bar Shaft	1	1
G 47	GF/ H320G0662	Oil Wick	1	1
G 48	GF/ H32211G205	Bolt	2	2
G 49	GF/ H429050050	Bolt	1	1
G 50	GF/ H4805H8001	Feed Bar	1	
G 50	GF/ H4942H8001	Feed Bar		1
G 51	GF/ H3200H2040	Screw	1	1
G 52	GF/ H2013J0065	Washer	1	1
G 53	GF/ H003002030	Nut		1
G 54	GF/ H429030140	Screw		1
G 55	GF/ H320H0653	Screw	1	1
G 56	GF/ H3205H0652	Felt	1	1
G 57	GF/ H4743H8001	Feed Bar Forked Connection	1	1
G 58	GF/ L100-23	Bracket	1	1
G 59	GF/ HK 1512	Needle Bearing HK 1512 IKO	1	1
G 60	GF/ M4x20	Screw (M4x20 DIN 912)	2	2



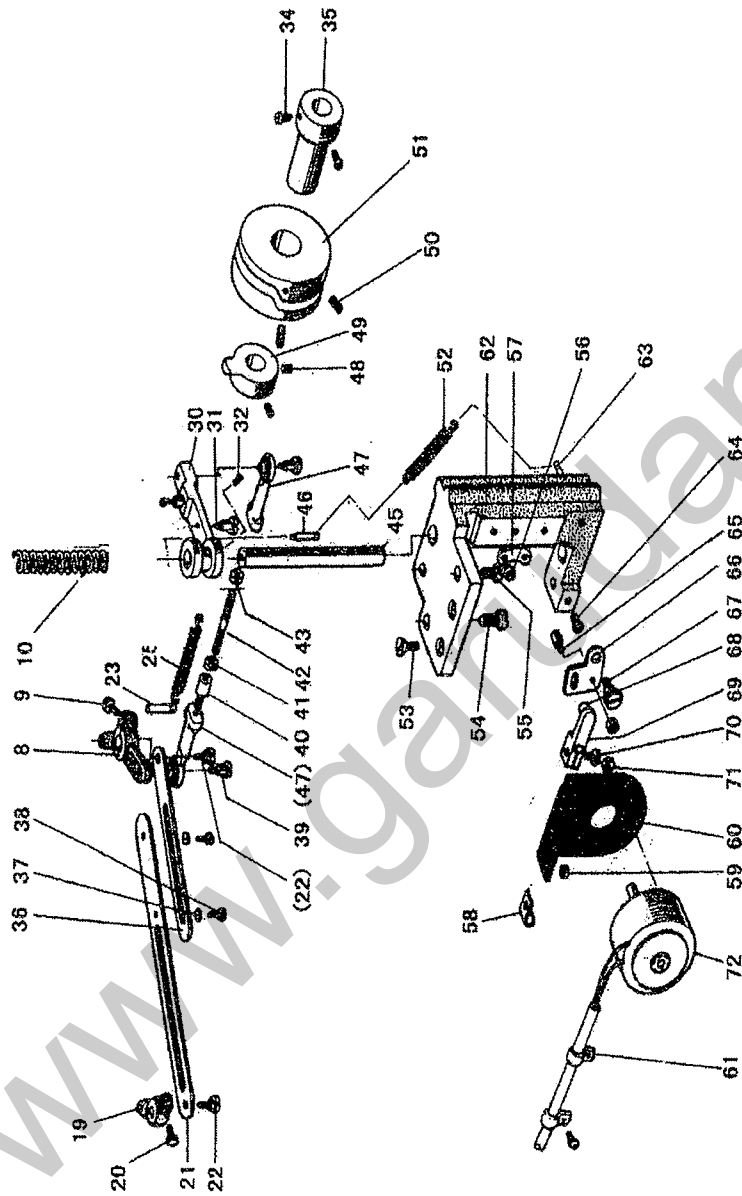
Ref. No.	Part No.	Name of Part	Q'ty			
			138/-3	238/-3	138/-6	238/-6
H1	GF/H3304I0651	Hook Saddle (right)	1	1		
H1	GF/H4906I8001	Hook Saddle (right)			1	1
H2	GF/H3207I0661	screw	1	2	1	1
H3	GF/H3207I0662	Bushing	1	2	1	2
H4	GF/H4707I8001	Screw	3	6	3	6
H5	GF/H4706I8001	Hook Driving Gear (large)	1	2	1	2
H6	GF/H4708I8001	Screw	1	2	1	2
H7	GF/H4709I8001	Screw	1	2	1	2
H8	GF/H4705I8001	Hook Driving Gear (small)	1	2	1	2
H9	GF/H3306I0067	Bobbin	1	2		
H9	GF/H481I8001	Bobbin			1	2
H10	GF/H4922I8001	Spring			1	2
H11	GF/h4908i7101	Hook Complete			1	2
H11	GF/H4708I7101	Hook Complete	1	2		
H12	GF/H3204I0656	Oil Wick	2	4	2	4
H13	GF/K321531504	Opener Bracket Shaft	1	2	1	2
H14	GF/H321531204	Screw	1	2	1	2
H15	GF/H33131I204	Link	1	2	1	2
H16	GF/H33131I104	Opener Bracket	1	2	1	2
H17	GF/H2004J0067	Screw	1	2	1	2
H18	GF/H3200I2030	Washer	1	2	1	2
H19	GF/H3305I0066	Opener	1	2	1	2
H20	GF/H005008050	Spring Washer	1	2	1	2
H21	GF/HA104G0658	Nut	1	2	1	2
H22	GF/H33121I104	Hook Shaft Bushing (upper)	1	2		
H22	GF/H4909I8001	Hook Shaft Bushing (upper)			1	2
H23	GF/H3204I0657	screw	1	2	1	2
H24	GF/H3312I204	Washer	1	2		
H24	GF/H4910I8001	Washer			1	2
H25	GF/H3204I0653	Hook Shaft Bushing (lower)	1	2		
H25	GF/H1911I8001	Hook Shaft Bushing (lower)			1	2
H26	GF/H2013J0065	Washer	1	2	1	2
H27	GF/H3200I2050	Screw	1	1	1	1
H28	GF/H3204I0659	Nut	1	2		
H28	GF/H4914I8001	Nut			1	2
H29	GF/H3204I0658	Screw	1	2		
H29	GF/H4915I8001	Screw			1	2
H30	GF/HA305E0662	Screw			2	4
H31	GF/H4917I8001	Hook Saddle (left)				1
H31	GF/H3307I0681	Hook Saddle (left)		1		
H32	GF/H3200I2050	Screw	1	2		
H32	GF/H4913I8001	Screw			1	2



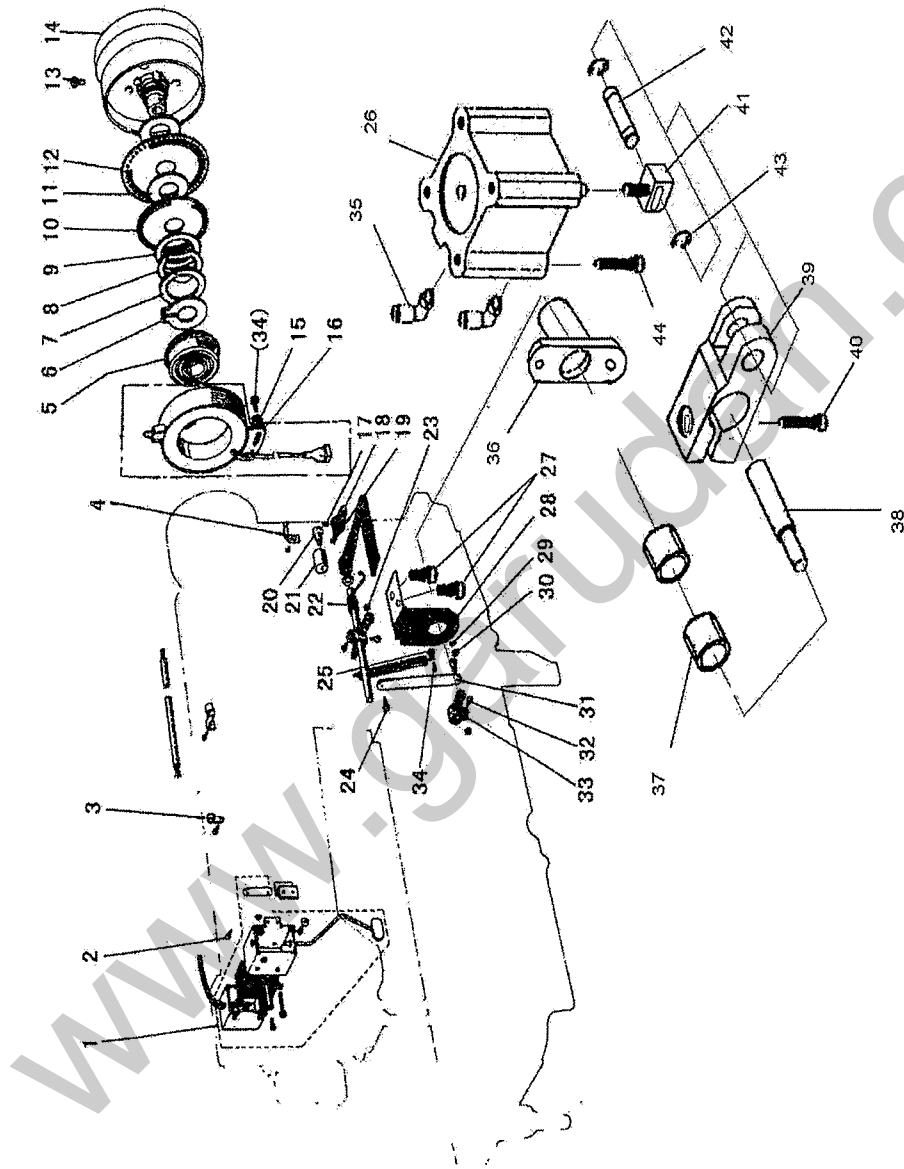
Ref. No.	Part No.	Name of Part	Q'ty	
			GF/138	GF/238
11	GF/ H4905J8001	Screw	1	2
12	GF/ H4906J8001	Bolt	1	2
13	GF/ H4907J8001	Trimming Knife Holder	1	2
14	GF/ H4908J8001	Screw	1	2
15	GF/ H4909J8001	Fixed Blade	1	2
16	GF/ H4914B8001	Screw	2	4
17	GF/ H4911J8001	Moved Knife	1	2
18	GF/ H4912J8001	Screw	1	2
19	GF/ H4913J8001	Screw	1	2
110	GF/ H4914J8001	Spring Plate	1	2
111	GF/ H4915J8001	Screw	3	6
112	GF/ H4916J80001	Reversing Spring	1	2
113	GF/ H4917J8001	Guide	1	1
114	GF/ H4920J8001	Roller	1	2
115	GF/ H4921J8001	Lever	1	2
116	GF/ H4922J8001	Cover	1	1
117	GF/ H4923J8001	Guide (right)	1	1
118	GF/ H4924J8001	Knife Pad (right)	1	1
119	GF/ H4925J8001	Screw	1	1
120	GF/ H4926J8001	Knife Pad (left)	1	1
121	GF/ H4927J8001	Cover	1	1



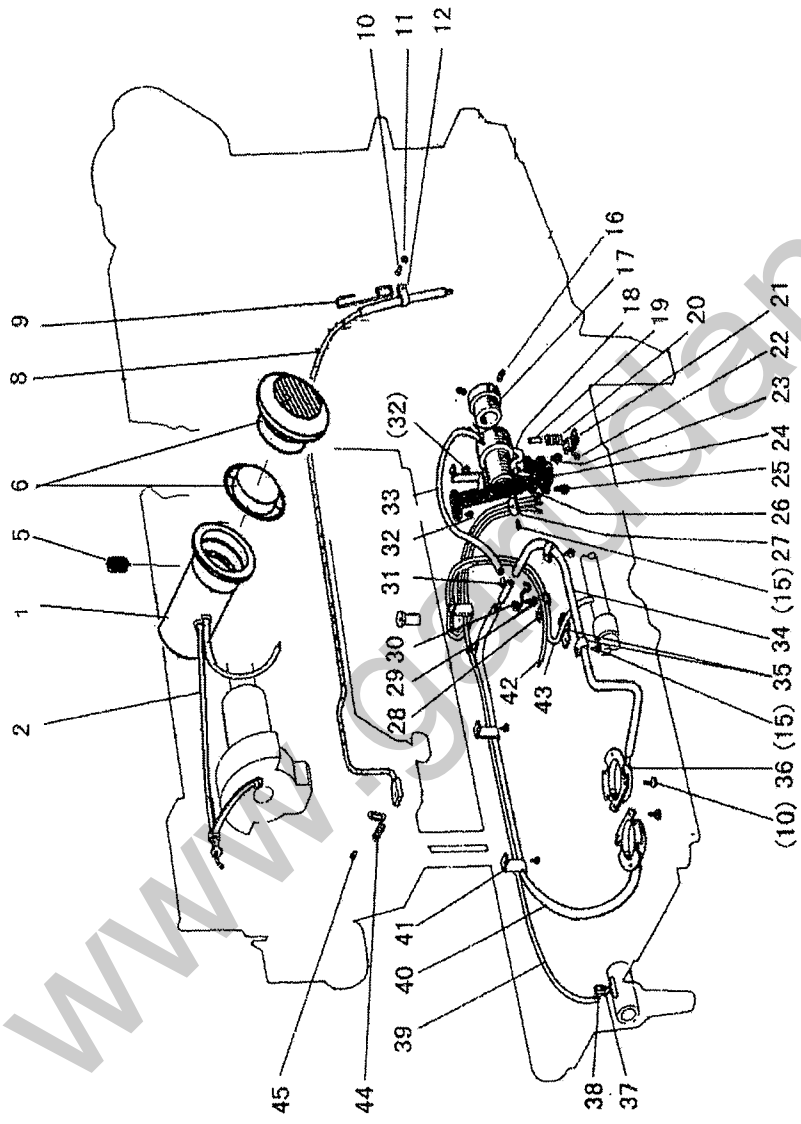
Ref. No.	Part No.	Name of Part	Q'ty	
			GF/138	GF/238
J8	GF/ H4912K8001	Arm	1	1
J9	GF/ H4913K8001	Bolt	1	1
J10	GF/ H4945K8001	Spring	1	1
J11	GF/ H4950K8001	Screw	1	1
J12	GF/ H494K8001	Roller	1	1
J19	GF/ H4908K8001	Arm		1
J20	GF/ H4907K8001	Bolt		1
J21	GF/ H4906K8001	Link		1
J22	GF/ H4905K8001	Screw	2	2
J23	GF/ HA100H2080	Pin Type	1	1
J24	GF/ H4946K7101	Thread Releasing Lever	1	1
J25	GF/ H4943K8001	Spring	1	1
J26	GF/ H4951K8001	Nut	1	1
J30	GF/ H4957K7101	Vibrating Crank	1	1
J31	GF/ H4944K8001	Screw	1	1
J32	GF/ H3205G1114	Screw	2	2
J34	GF/ HA113F0684	Screw	2	2
J35	GF/ H4931K8001	Bushing	1	1
J36	GF/ H4909K8001	Link		1
J37	GF/ H005001050	Washer		1
J38	GF/ H4911K8001	Bolt		2
J39	GF/ H4936K8001	Screw	2	2
J40	GF/ H4987K8001	Bolt	1	1
J41	GF/ H4940K8001	Nut (left)	1	1
J42	GF/ H4939K8001	Bolt	1	1
J43	GF/ H003002050	Nut (right)	1	1
J44	GF/ H4964K8001	Shaft	1	1
J45	GF/ H4963K8001	Shaft	1	1
J46	GF/ H4985K8001	Screw	1	1
J47	GF/ H3405D0663	Ball Joint (right)	2	2
J48	GF/ H320G1114	Screw	4	4
J49	GF/ H4934K8001	Cam	1	1
J50	GF/ HA710E0692	Screw	2	2
J51	GF/ H4932K8001	Cam	1	1
J52	GF/ H4986K8001	Spring	1	1
J53	GF/ H411050160	Screw	2	2
J54	GF/ H2012N0652	Screw	1	1
J55	GF/ H4983K8001	Screw	1	1
J56	GF/ H4967K8001	Screw	3	3
J57	GF/ H4966K8001	Stopper	1	1
J58	GF/ H4981K8001	Holder	1	1
J59	GF/ H003008050	Nut	2	2
J60	GF/ H4977K8001	Mounting Plate	1	1



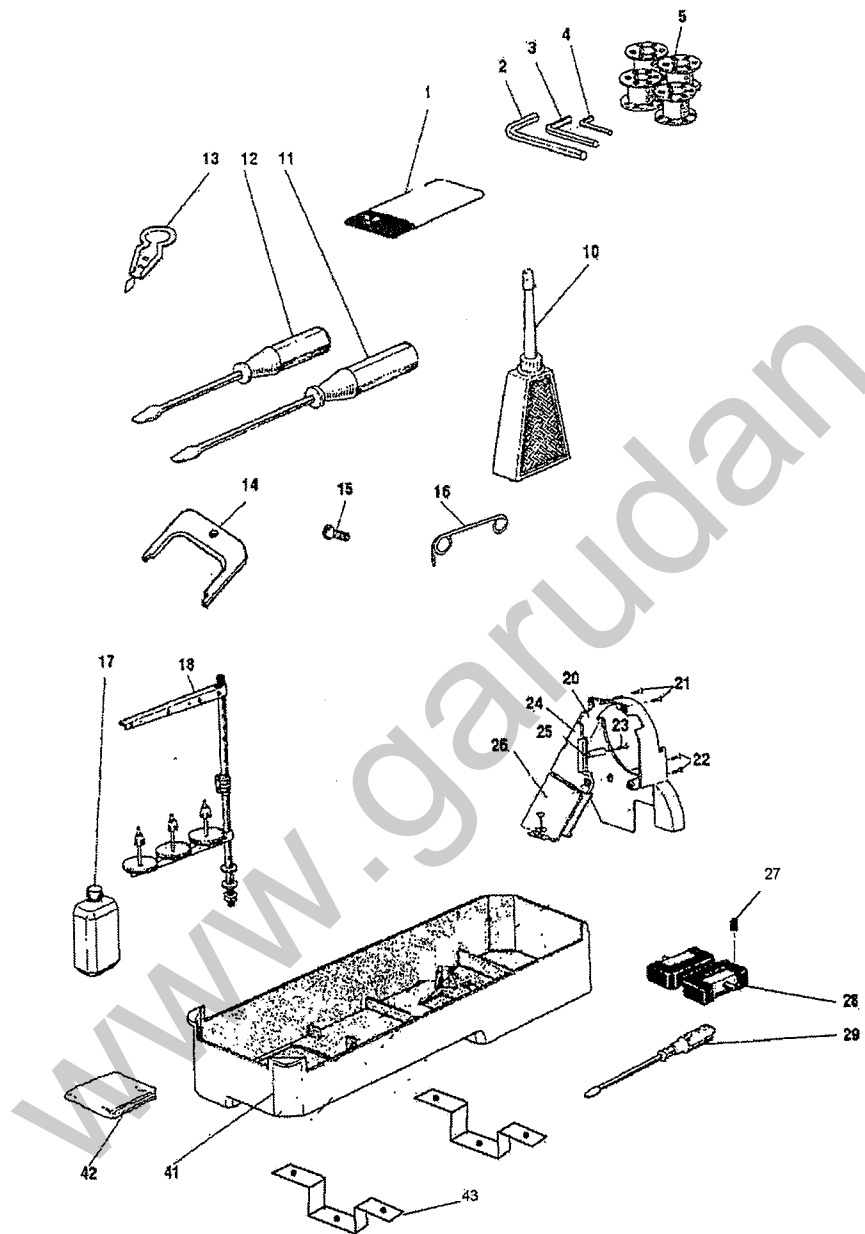
Ref.No.	Part No.	Name of Part	Q'ty	
			GF/138	GF/238
J61	GF/ H4980K8001	Holder	2	2
J62	GF/ H4965K8001	Set Plate	1	1
J63	GF/ H3700E2080	Pin Type	1	1
J64	GF/ H4969K8001	Screw	1	1
J65	GF/ H4970K8001	Screw	1	1
J66	GF/ H4971K8001	Lever	1	1
J67	GF/ H4972K8001	Screw	1	1
J68	GF/ H4973K8001	Pin	1	1
J69	GF/ H4974K8001	Arm	1	1
J70	GF/ HA111G0683	Screw	1	1
J71	GF/ HA7111N304	Nut	1	1
J72	GF/ H4979K8001	Solenoid Complete	1	1



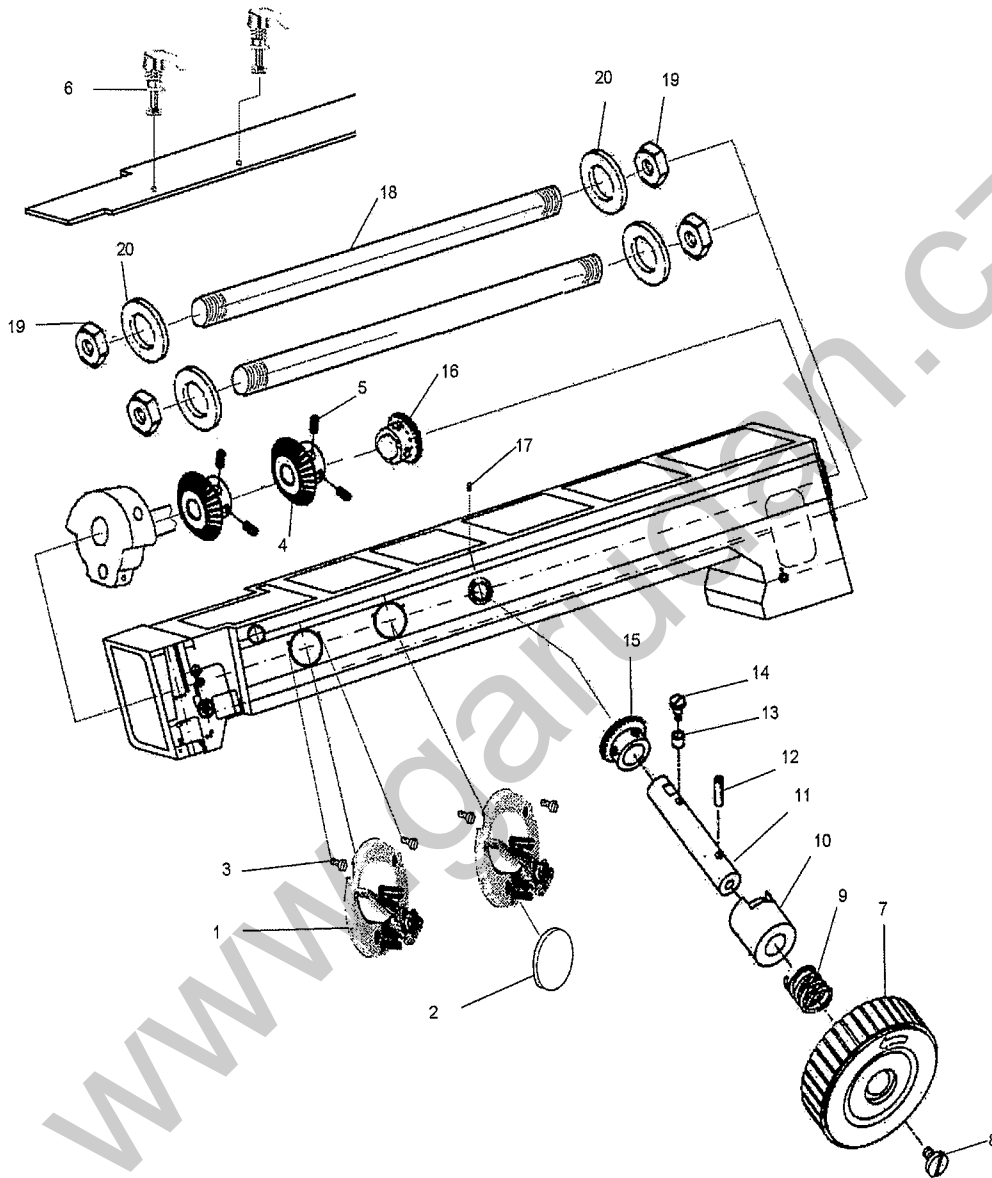
Ref. No.	Part No.	Name of Part	Q'ty	
			GF/138	GF/238
K1	GF/ H4905L7101	Touth Switch Complete	1	1
K2	GF/ H4918L8001	Screw	4	4
K3	GF/ HA700Q0030	Holder	2	2
K4	GF/ H49922L8001	Holder	1	1
K5	GF/ H3205J0662	Ball Bearing	1	1
K6	GF/ H007009300	Retaining Ring C-type	1	1
K7	GF/ HA700R0060	Washer	1	1
K8	GF/ HA700R0050	Support Spring	1	1
K9	GF/ HA700R0040	Spacer	1	1
K10	GF/ H4928L8001	Speed Command Disk F20 (up)	1	1
K11	GF/ HA700R0030	Spacer A	2	2
K12	GF/ H4930L8001	Speed Command Disk F11 (down)	1	1
K13	GF/ HA110D0672	Screw	2	2
K14	GF/ H4931L8001	Pulley (complete)	1	1
K15	GF/ HA703R0067	Washer	1	1
K16	GF/ HA703R0065	Detector Bracket (complete)	1	1
K17	GF/ HA3411D308	Screw	1	1
K18	GF/ H4936L8001	Lever	1	1
K19	GF/ HA113F0684	Screw	1	1
K20	GF/ H4937L8001	Screw	1	1
K21	GF/ H4938L8001	Rubber Ring	1	1
K22	GF/ H4939L8001	Spring	1	1
K23	GF/ H4940L8001	Nut	2	2
K24	GF/ H4941L8001	Screw	2	2
K25	GF/ H4942L8001	Nut	1	1
K26	GF/ CQ2B25-15D	Air Cylinder CQ2B20-15D SMC	1	1
K27	GF/ M6x10	Screw M6x10 DIN 912	2	2
K28	GF/ L100-55	Set Plate (modification H4945L80014)	1	1
K29	GF/ H005008060	Spring Washer	2	2
K30	GF/ H003002060	Nut	2	2
K31	GF/ H4948L8001	Link	1	1
K32	GF/ H4949L8001	Blot	1	1
K33	GF/ H4950L8001	Arm	1	1
K34	GF/ HA300C2030	Screw	2	2
K35	GF/ KQ2L04-M5	Fitting SMC	2	2
K36	GF/ L100-51	Bushing	1	1
K37	GF/ HK 1010	Needle Bearing HK 1010 SKF	2	2
K38	GF/ L100-54	Shaft	1	1
K39	GF/ L100-50	Crank	1	1
K40	GF/ M6x16	Screw (M6x16 DIN 912)	1	1
K41	GF/ L100-53	Remove Lever	1	1
K42	GF/ L100-52	Pin	1	1
K43	GF/ 4	E-ring 4 DIN 6799	2	2
K44	GF/ M4x40	Screw M4x40 DIN 912	3	3



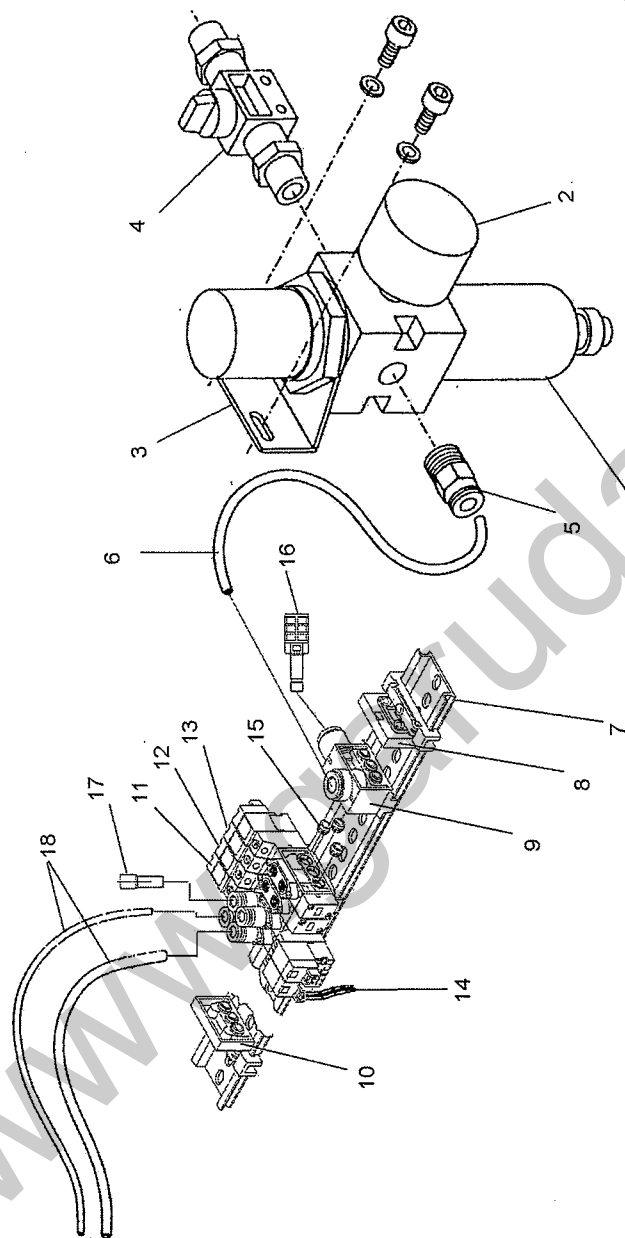
Ref. No.	Part No.	Name of Part	Q'ty	
			GF/138	GF/238
L1	GF/ L100-20	Oil Reservoir	1	1
L2	GF/ H4705J7101	Oil Pipe complete	1	1
L5	GF/ M5x5	Screw M5x5 DIN 551	1	1
L6	GF/ K56042282015	Oil Control Peephole cat.No.28004-2282015	1	1
L8	GF/ H4711J7101	Oil Reservoir Complete	1	1
L9	GF/ H4713J8001	Holder	1	1
L10	GF/ HA7311CC06	Screrrw	7	7
L11	GF/ HA100I2050	Spring Washer	1	1
L12	GF/ H2000M0110	Holder	1	1
L16	GF/ H3230K0751	Screw	2	2
L17	GF/ H4716K8001	Bushing	1	1
L18	GF/ H3215K0696	Oil Pipe	1	1
L19	GF/ H1100I2070	Pin	1	1
L20	GF/ H1100I2090	Spring	1	1
L21	GF/ H1100I2120	Spring Holder	1	1
L22	GF/ H3204D6510	Screw	1	1
L23	GF/ H3215K0693	Screw	1	1
L24	GF/ H3215K0692	Filter	1	1
L25	GF/ H3215K0694	Screw	1	1
L26	GF/ H4718J7101	Mounting Plate Complete	1	1
L27	GF/ H3215K0695	Holder	1	1
L28	GF/ H3200K0170	Holder	1	1
L29	GF/ HA7311CC06	Pin		1
L30	GF/ H3210K0674	Holder		1
L31	GF/ H3210K0671	Oil Pipe Joint		1
L32	GF/ HA100E2150	Screw	4	4
L33	GF/ H4721J8001	Oil Pipe diam.3x1x90		1
L34	GF/ H4805J8001	Oil Pipe diam.3x1x370	1	
L35	GF/ H4723J8001	Oil Pipe diam.3x1x300		1
L36	GF/ H2000M0110	Holder	3	3
L37	GF/ H3211K0068	Oil Reservoir Complete	2	2
L38	GF/ H3200K0180	Oil Wick diam.2.5x35	3	3
L39	GF/ H4735J8001	Oil Pipe	1	1
L40	GF/ H4724J8001	Oil Pipe diam.3x1x445	1	1
L41	GF/ H3200K0160	Holder	3	3
L42	GF/ H4725J7101	Oil Wick	1	1
L43	GF/ H4728J7101	Oil Wick	1	1
L44	GF/ H4731J8001	Holder	1	1
L45	GF/ HA300C2030	Screw	1	1



Ref. No.	Part No.	Name of Part	Q'ty			
			138/-3	238/-3	138/-6	238/-6
M1	GF/H4740F8001	Needle DPx17-23	3	6	3	6
M2	GF/H3209L8001	Socet Wrench			1	1
M3	GF/H3208L8001	Socet Wrench	1	1	1	1
M4	GF/H4905N8001	Socet Wrench			1	1
M5	GF/H3306I0067	Bobbin	2	4		
M5	GF/H49121I8001	Washer			2	4
M10	GF/HA100J2110	Oiler	1	1	1	1
M11	GF/HA100J2140	Screw Driver (middle)	1	1	1	1
M12	GF/HA100J2150	Screw Driver (small)	1	1	1	1
M13	GF/H3207L0065	Thread a Needle Kit	1	1	1	1
M14	GF/HA704S0654	Adjusting Plate for Speed Command Disk			1	1
M15	GF/H409030060	Screw			1	1
M16	GF/H4907N8001	Thread Guide			1	1
M17	GF/H3200L0130	Oil Can	1	1	1	1
M18	GF/H3200L0120	Cotton Stand	1		1	
M18	YH/FPL-4	Cotton Stand		1		1
M20	GF/H2008O0068	Belt Cover			1	1
M21	GF/HA300C2170	Screw			2	2
M22	GF/HA300J2280	Screw	2	2	2	2
M23	GF/HA300J2250	Screw			1	1
M24	GF/H2405B6601	Belt Cover Complete	1	1		
M24	GF/H4953N7101	Belt Cover Complete			1	1
M25	GF/H003008040	Nut			1	1
M26	GF/HA305J0665	Belt Cover	1	1	1	1
M27	GF/M6x15	Screw M6x15 DIN 551	2	2	2	2
M28	GF/HA307J0067	Hinge Complete	2	2	2	2
M29	GF/HA300J2070	Screw Driver (large)	1	1	1	1
M41	GF/18	Oil Pan	1	1	1	1
M42	GF/HA100J2180	Vinyl Cover	1	1	1	1
M43	GF/19	Oil Pan Holder	2	2	2	2










Ref. No.	Part No.	Name of Part	Q'ty	
			GF/138	GF/238
N1	GF/ H98A030	Bobbin Winder	1	2
N2	GF/ L100-27	Plug	1	
N3	GP/ 700336	Screw	4	4
N4	GF/ L100-09	Bevel Gear	1	2
N5	GP/ 341901	Screw M6x0.75x6	2	4
N6	P/ P98002524800	Thread Retainer	1	2
N7	S/ 25S004S-306H	Hand Pulley	1	1
N8	S/ 25S012S-306H	Screw	1	1
N9	S/ 25S011S-306H	Hand Pulley Spring	1	1
N10	S/ 25S009S-306H	Bushing	1	1
N11	S/ 25S005S-306H	Shaft	1	1
N12	S/ 25S008S-306H	Spring Pin	1	1
N13	S/ 25S007S-306H	Hand Pulley Roller	1	1
N14	S/ 25S006S-306H	Hand Pulley Roller Hinge Screw	1	1
N15	S/ 25S001S-306H	Hand Pulley Gear B	2	2
N16	GF/ M5x8	Screw M5x8 DIN 551	1	1
N18	GF/ L100-04	Strain Shaft	2	2
N19	GF/ M12	Nut M12 DIN 934 ISO 4032 BN 116 Kl.8	4	4
N20	GF/ 12	Washer 12x24x0.5 DIN 988 BN 748	4	4



Ref. No.	Part No.	Name of Part	Q'ty	
			GF/138	GF/238
O1	GF/ AW20-F02H	Filter Regulator AW20-F02H SMC	1	1
O2	GF/ G36-10-01	Manometr G36-10-01	1	1
O3	GF/ ARP20P-270AS	Holder SRP20P-270AS	1	1
O4	GF/ VHK3-08F-02S	Finger Valve VHK3-08F-02S	1	1
O5	GF/ KQ2H08-02S	Tube Connector KQ2H08-02S	1	1
O6	GF/ TU0805BU-20	Air Tube TU0805BU-20	1	1
O7	GF/ VZ1000-11-3-1000	Bracket Ledge VZ1000-11-3-1000	1	1
O8	GF/ SY3000-56-1A-Q	Terminal panel SY3000-56-1A-Q	1	1
O9	GF/ SY3000-55-1A-Q	Input Block SY3000-55-1A-Q	1	1
O10	GF/ SY3000-56-1B-Q	Terminal panel SY3000-56-1B-Q	1	1
O11	GF/ SY3160-5LOU	Solenoid Valve SY3160-5LOU-C4-Q Table D	1	1
O12	GF/ SY3160-5LOU	Solenoid Valve SY3160-5LOU-C4-Q Table B	1	1
O13	GF/ SY3160-5LOU	Solenoid Valve SY3160-5LOU-C4-Q Table K	1	1
O14	GF/ SY100-30-4A-20	Solenoid Connector SY100-30-4A-20	3	3
O15	GF/ SY3000-52-5A	Connecting Ring SY3000-52-5A	9	9
O16	GF/ AN203-KM8	Silencer AN203-KM8 (for sol.No.12)	1	1
O17	GF/ KQ2P-04	Plug KQ2P-04	1	1
O18	GF/ TU0425BU-20	Air Tube TU0425BU-20	1	1

www.garudan.cz

Gauge Parts List

							
Gauge Size	Needle Plate	Presser Foot (Inside)	Presser Foot	Needle Clamp	Feed Dog	Slide Plate(L)	Slide Plate(R)
GF-230-443 MH							
1/8 (3.2mm)	H4737B8001	H4741F8001	H4758E8001	H4750F8001	H4745H8001	H4732B8001	H4733B8001
5/32 (4mm)	H4738B8001	H4742F8001	H4759E8001	H4751F8001	H4746H8001	H4732B8001	H4733B8001
3/16 (4.8mm)	H4739B8001	H4743F8001	H4760E8001	H4752F8001	H4747H8001	H4732B8001	H4733B8001
1/4 (6.4mm)	H4734B8001	H4737F8001	H4757E8001	H4739F8001	H4744H8001	H4732B8001	H4733B8001
5/16 (8mm)	H4740B8001	H4744F8001	H4761E8001	H4753F8001	H4748H8001	H4746B8001	H4733B8001
3/8 (9.5mm)	H4741B8001	H4745F8001	H4762E8001	H4754F8001	H4749H8001	H4746B8001	H4733B8001
1/2 (12.7mm)	H4742B8001	H4746F8001	H4763E8001	H4755F8001	H4750H8001	H4747B8001	H4750B8001
5/8 (16mm)	H4743B8001	H4747F8001	H4764E8001	H4756F8001	H4751H8001	H4747B8001	H4750B8001
3/4 (19mm)	H4744B8001	H4748F8001	H4765E8001	H4757F8001	H4752H8001	H4748B8001	H4750B8001
1 (25.4mm)	H4745B8001	H4749F8001	H4766E8001	H4758F8001	H4753H8001	H4749B8001	H4750B8001
GF-230-446 MH							
1/8 (3.2mm)	H4937B8001	H4741F8001	H4758E8001	H4750F8001	H4945H8001	H4732B8001	H4733B8001
5/32 (4mm)	H4938B8001	H4742F8001	H4759E8001	H4751F8001	H4946H8001	H4732B8001	H4733B8001
3/16 (4.8mm)	H4939B8001	H4743F8001	H4760E8001	H4752F8001	H4947H8001	H4732B8001	H4733B8001
1/4 (6.4mm)	H4917B8001	H4737F8001	H4757E8001	H4739F8001	H4944H8001	H4732B8001	H4733B8001
5/16 (8mm)	H4940B8001	H4744F8001	H4761E8001	H4753F8001	H4948H8001	H4746B8001	H4733B8001
3/8 (9.5mm)	H4941B8001	H4745F8001	H4762E8001	H4754F8001	H4949H8001	H4746B8001	H4733B8001
1/2 (12.7mm)	H4942B8001	H4746F8001	H4763E8001	H4755F8001	H4950H8001	H4747B8001	H4733B8001
5/8 (16mm)	H4943B8001	H4747F8001	H4764E8001	H4756F8001	H4951H8001	H4747B8001	H4733B8001
3/4 (19mm)	H4944B8001	H4748F8001	H4765E8001	H4757F8001	H4952H8001	H4748B8001	H4750B8001
1 (25.4mm)	H4945B8001	H4749F8001	H4766E8001	H4758F8001	H4953H8001	H4749B8001	H4750B8001
GF-130-443 H							
	H4814B8001	H4807F8001	H3100G2110		H4807H8001	H4812B8001	H4813B8001
GF-130-446 H							
	H5014B8001	H4807F8001	H3100G2110		H5004H8001	H4812B8001	H4813B8001

www.garudan.cz